

## N665H Excel full extension Easy-Fix

### Benefits for the industry

- Large range of standard depths from 250 to 550 mm
- Full extension for complete drawer access
- Very tolerant due to built-in flexibility
- New generation of SlowMotion<sup>FR</sup> damping with stop-close feature and FinalRelease feature to always guarantee drawer closure also under adverse conditions
- Easy-Fix rapid fixing for ease of assembly and integrated anti-lift feature
- 3D adjustment for an easy and quick drawer alignment
- Excellent load ability with 30kg dynamic standard capacity throughout the range

### Benefits for the consumer

- Smooth functioning thanks to new generation of wheel design
- Comfortable full extension for improved accessibility and ease of use
- Lasting quality thanks to optimised materials
- Hidden assembly for high quality perception of the whole cabinet
- Adaptive SlowMotion<sup>FR</sup> damping for noiseless closing
- High-end OneTouch handleless operation

### Code

54.N665.H7.25\*.0000

54.N665.H7.30\*.0000

54.N665.H7.35\*.0000

54.N665.H7.40\*.0000

54.N665.H7.45\*.0000

54.N665.H7.50\*.0000

54.N665.H7.55\*.0000

### Description

Excel N665H  
for 250mm deep drawer (1 set)

Excel N665H  
for 300mm deep drawer (1 set)

Excel N665H  
for 350mm deep drawer (1 set)

Excel N665H  
for 400mm deep drawer (1 set)

Excel N665H  
for 450mm deep drawer (1 set)

Excel N665H  
for 500mm deep drawer (1 set)

Excel N665H  
for 550mm deep drawer (1 set)

### Packing

Industrial

Industrial

Industrial

Industrial

Industrial

Industrial

Industrial

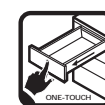
\* closing system: Y = SlowMotion / P = OneTouch.

Industrial packing composed by:

- 1 box of 12 right profiles
- 1 box of 12 left profiles
- 1 box of 24 Easy-Fix devices.



Easy-Fix



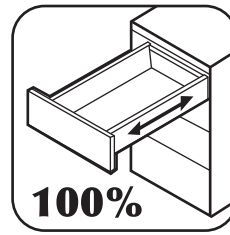
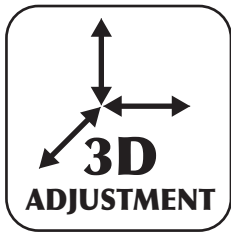
OneTouch

Handleless cabinets are part of modern furniture design. FGV OneTouch technology is precise, reliable and works over a large range of drawer width.

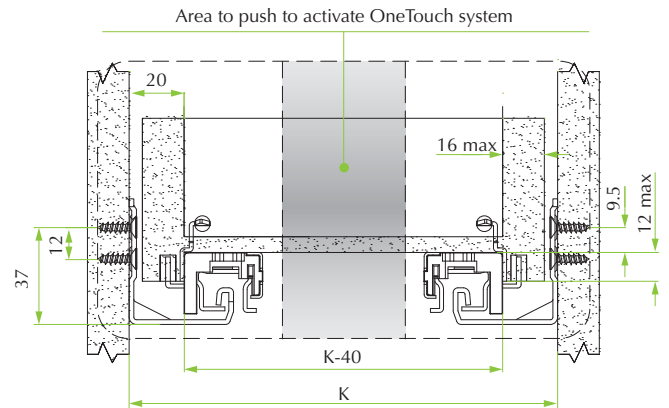
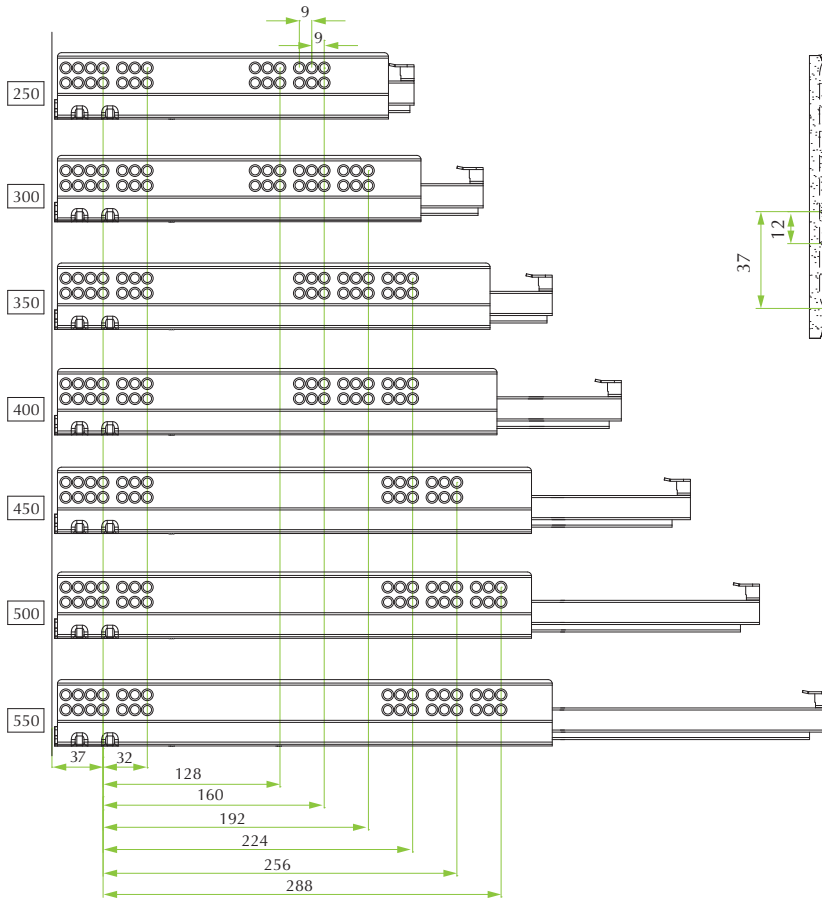


SlowMotion<sup>FR</sup>

All new adaptive stop close damping device ensures a strong damping force and perfect closing of the drawer in every condition.

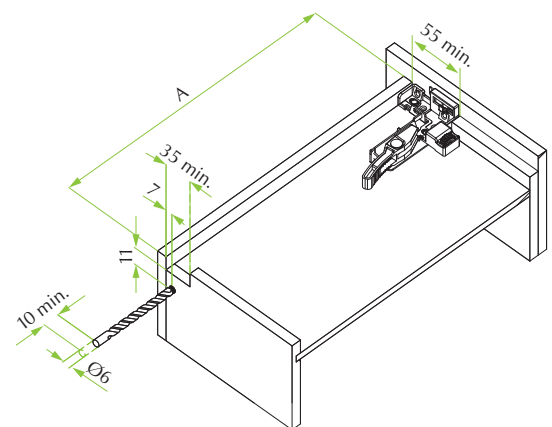
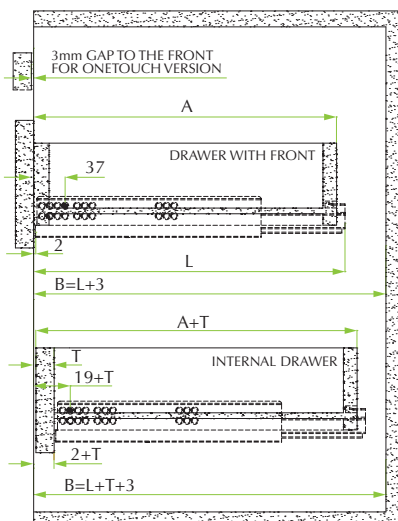


## Slides fixing dimensions



L = EXCEL SLIDE NOMINAL LENGTH  
 A = DRAWER DEPTH  
 B = CABINET INTERNAL DEPTH  
 K = CABINET INTERNAL WIDTH  
 AV = EXTENSION LOSS  
 (The OneTouch system is guaranteed for drawers with width max 600mm)

## Drawer mounting & dimensions



L	260	310	360	410	460	510	560
A	250	300	350	400	450	500	550