



FORNITORI &
SERVIZIO CLIENTI
800.76446

SPT: 25013

I.M.: A

Dis.:
Dru.:

PROIETTI

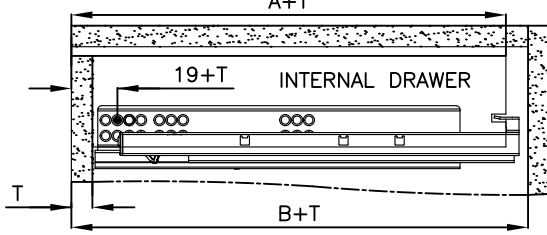
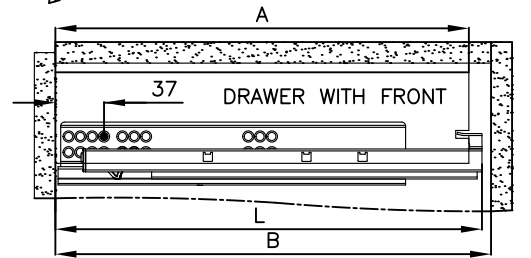
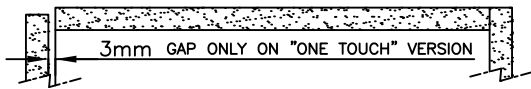
Data: 13/09/19
Date:

Visto:
Check.:

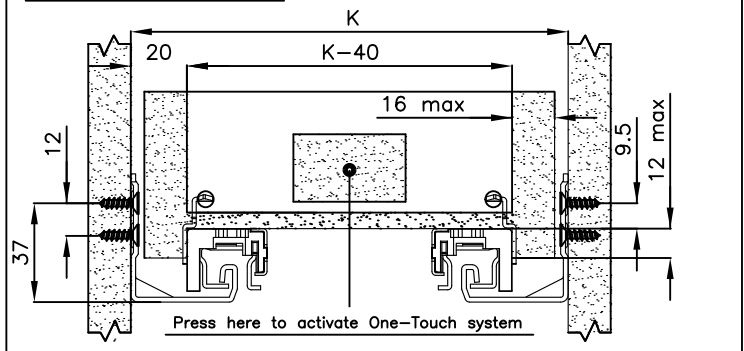
Data:
Date:

Denominazione: Excel N665 H Easy-Fix
Part Name: Excel N665 H Easy-Fix

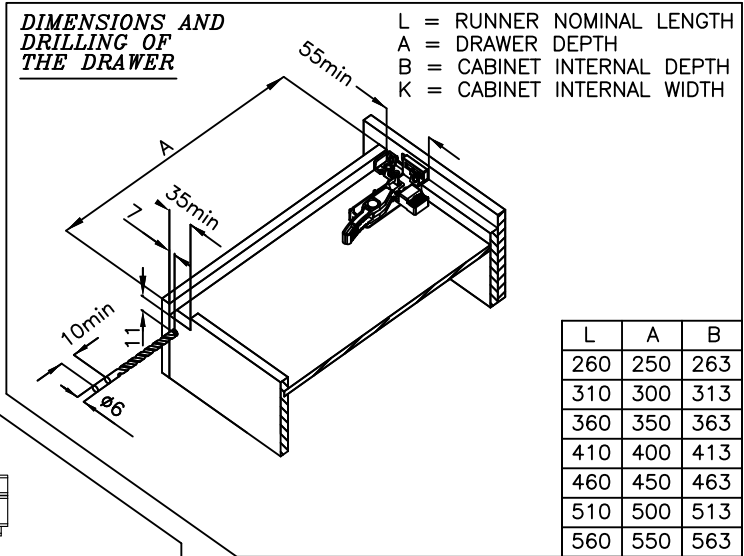
Pag: 1-1



TECHNICAL DETAILS



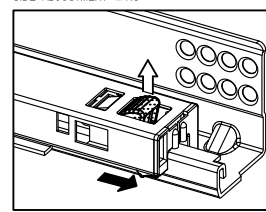
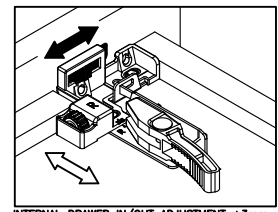
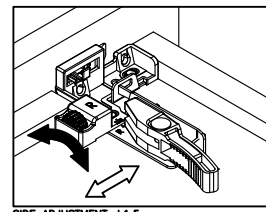
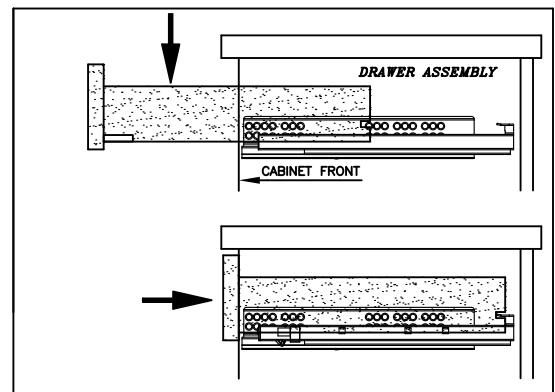
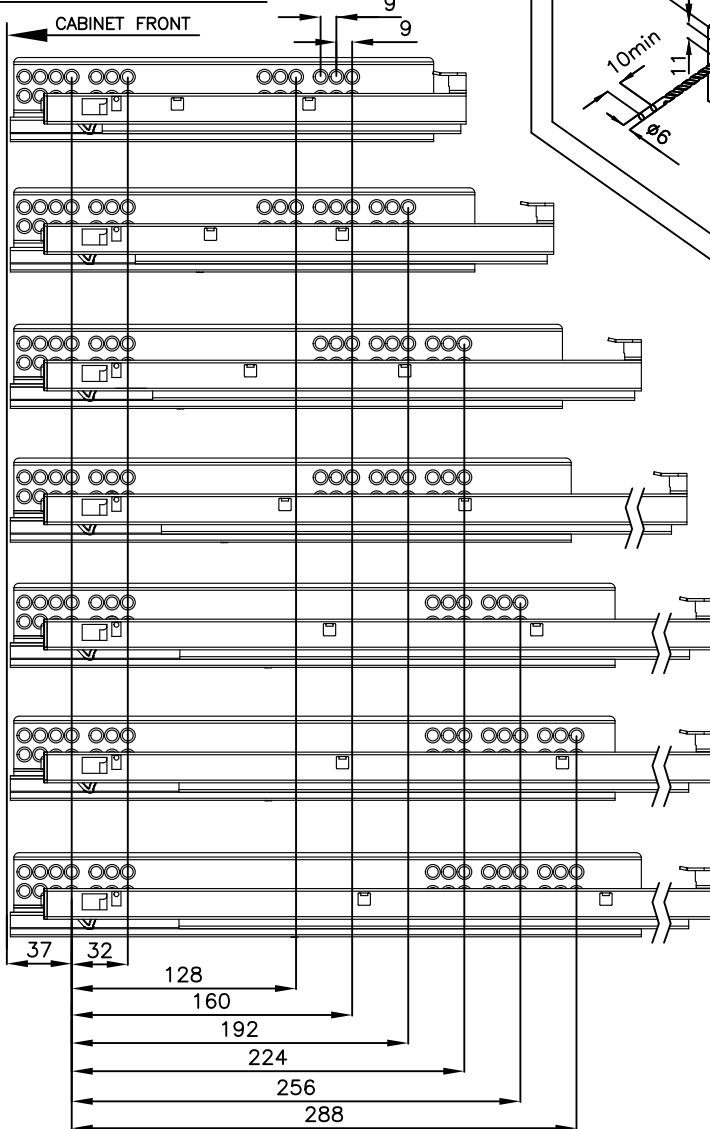
DIMENSIONS AND DRILLING OF THE DRAWER



L = RUNNER NOMINAL LENGTH
A = DRAWER DEPTH
B = CABINET INTERNAL DEPTH
K = CABINET INTERNAL WIDTH

L	A	B
260	250	263
310	300	313
360	350	363
410	400	413
460	450	463
510	500	513
560	550	563

FIXING HOLE POSITIONS



SIDE ADJUSTMENT ±1.5

INTERNAL DRAWER IN/OUT ADJUSTMENT +3mm

VERTICAL ADJUSTMENT +2.5mm